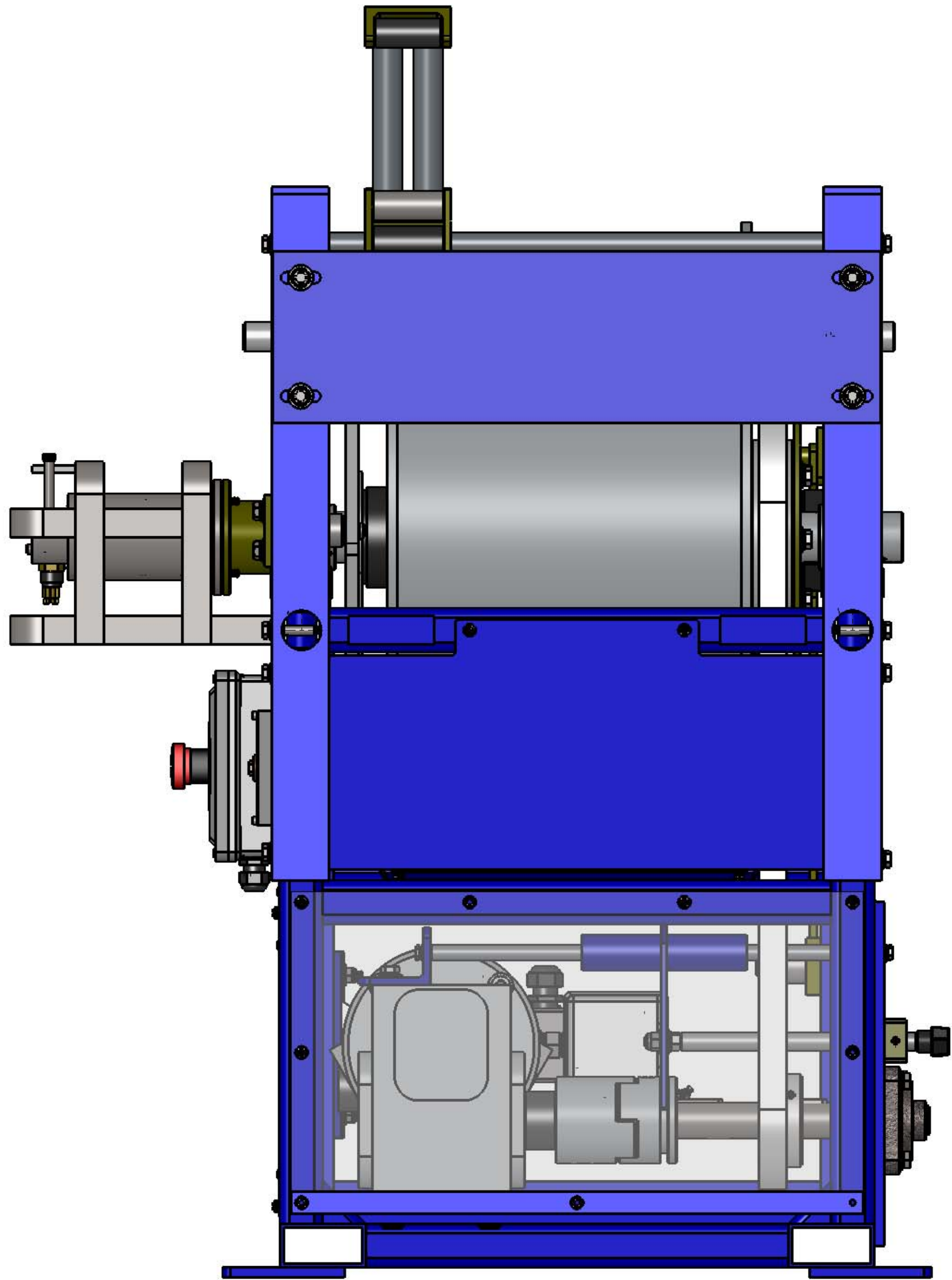
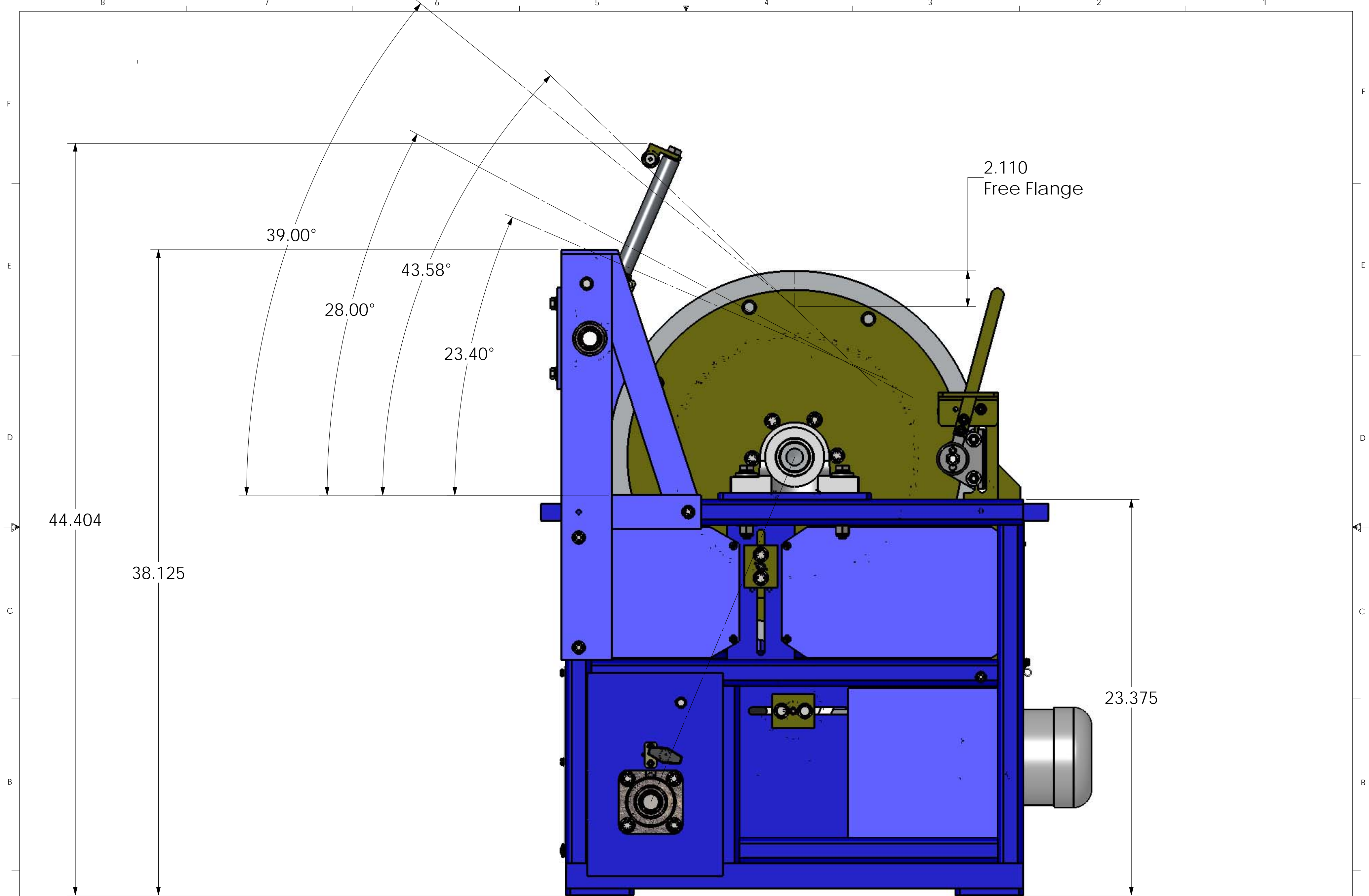


Items	Spec.
Drum Size (Flange x Core x Width):	22" x 12.75" x 12"
Motor:	LEESON 2HP 2500RPM 180VDC MOTOR (109207)
Gearbox:	EL826 30:1
Drive Sprocket:	60B17
Drum Sprocket:	60A60
Cable Size:	300m of 8.2mm Rochester Coax Cable
Levelwind Drum Sprocket:	35A35
Levelwind Gearbox Input Sprocket:	35B36
Levelwind Gearbox Output Sprocket:	35B16
Reversing Screw Sprocket:	35B22
Levelwind Gearbox:	2:1 GEARBOX
Emergency Stop Switch:	YES
Electric Brake:	LEESON 10FT-LB BRAKE (175578)
Slip Ring:	AGO-SR08MCBH SS
Revision Note :	
Winch S/N:	
Winch Weight (lbs.):	346.603

UNLESS OTHERWISE SPECIFIED:		NAME	DATE	A.G.O Environmental Electronics Victoria, B.C. Canada, V9A 3L4
DIMENSIONS ARE IN INCHES TOLERANCES: FRACTIONAL: ± 1/16 ANGULAR: MACH ± 1° BEND ± 1° TWO PLACE DECIMAL: ± .01 THREE PLACE DECIMAL: ± .001		DRAWN Donald Lo	Oct 04, 2013	
MATERIAL:		CHECKED		TITLE: CSW 7 ASSEMBLY (GSE RENTAL) (2HP DC SYSTEM)
FINISH:		ENG APPR.		
DO NOT SCALE DRAWING		MFG APPR.		SIZE DWG. NO. REV
		Q.A.		C CSW7-110A 11
		COMMENTS:		SCALE: 1:1 SHEET 1 OF 6



UNLESS OTHERWISE SPECIFIED:		NAME	DATE	A.G.O Environmental Electronics Victoria, B.C. Canada, V9A 3L4
DIMENSIONS ARE IN INCHES		DRAWN	Donald Lo	
TOLERANCES:		CHECKED		TITLE: CSW 7 ASSEMBLY (FRONT VIEW) (GSE RENTAL) (2HP DC SYSTEM)
FRACTIONAL: ± 1/16		ENG APPR.		
ANGULAR: MACH ± 1° BEND ± 1°		MFG APPR.		
TWO PLACE DECIMAL: ± .01		Q.A.		
THREE PLACE DECIMAL: ± .001		COMMENTS:		SIZE DWG. NO. REV
MATERIAL:				C CSW7-110A 11
FINISH:				SCALE: 1:1 SHEET 2 OF 6
DO NOT SCALE DRAWING				



UNLESS OTHERWISE SPECIFIED:
 DIMENSIONS ARE IN INCHES
 TOLERANCES:
 FRACTIONAL: ± 1/16
 ANGULAR: MACH ± 1° BEND ± 1°
 TWO PLACE DECIMAL: ± .01
 THREE PLACE DECIMAL: ± .001

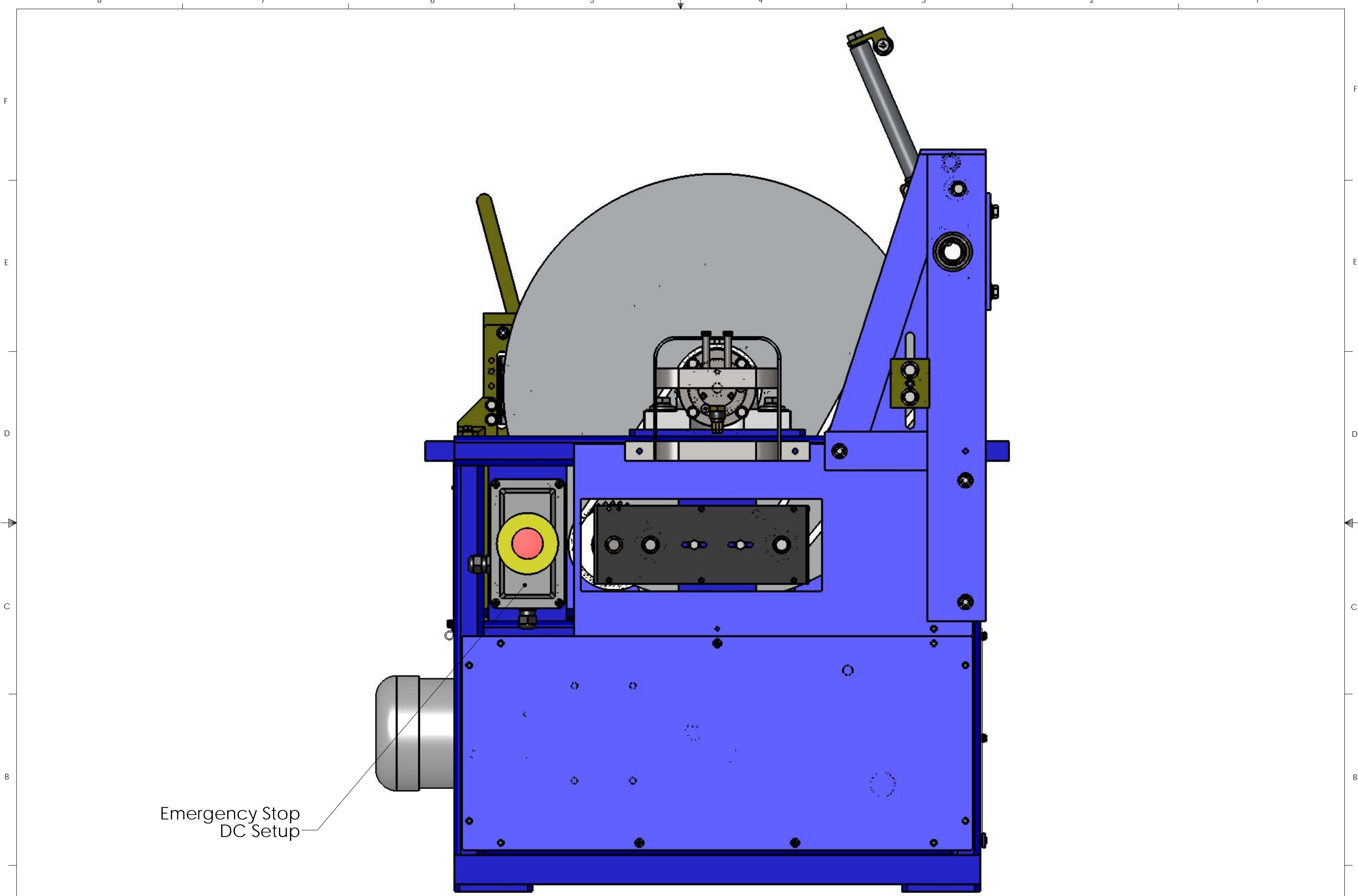
MATERIAL:

FINISH:

DO NOT SCALE DRAWING

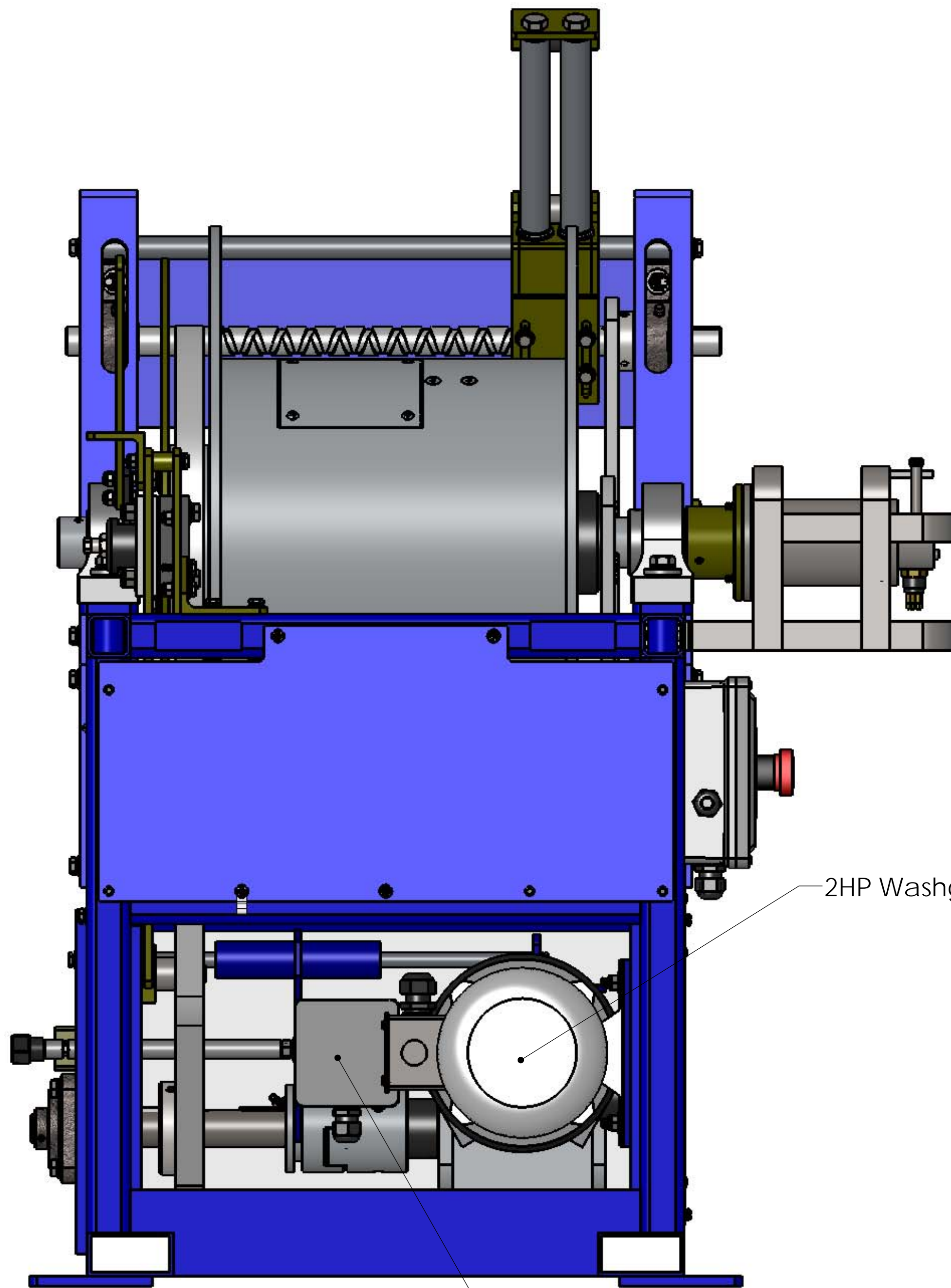
	NAME	DATE
DRAWN	Donald Lo	Oct 04, 2013
CHECKED		
ENG APPR.		
MFG APPR.		
Q.A.		
COMMENTS:		

A.G.O Environmental Electronics Victoria, B.C. Canada, V9A 3L4		
TITLE: CSW 7 ASSEMBLY (LEFT VIEW) (GSE RENTAL) (2HP DC SYSTEM)		
SIZE	DWG. NO.	REV
C	CSW7-110A	11
SCALE: 1:1	SHEET 3 OF 6	



Emergency Stop
DC Setup

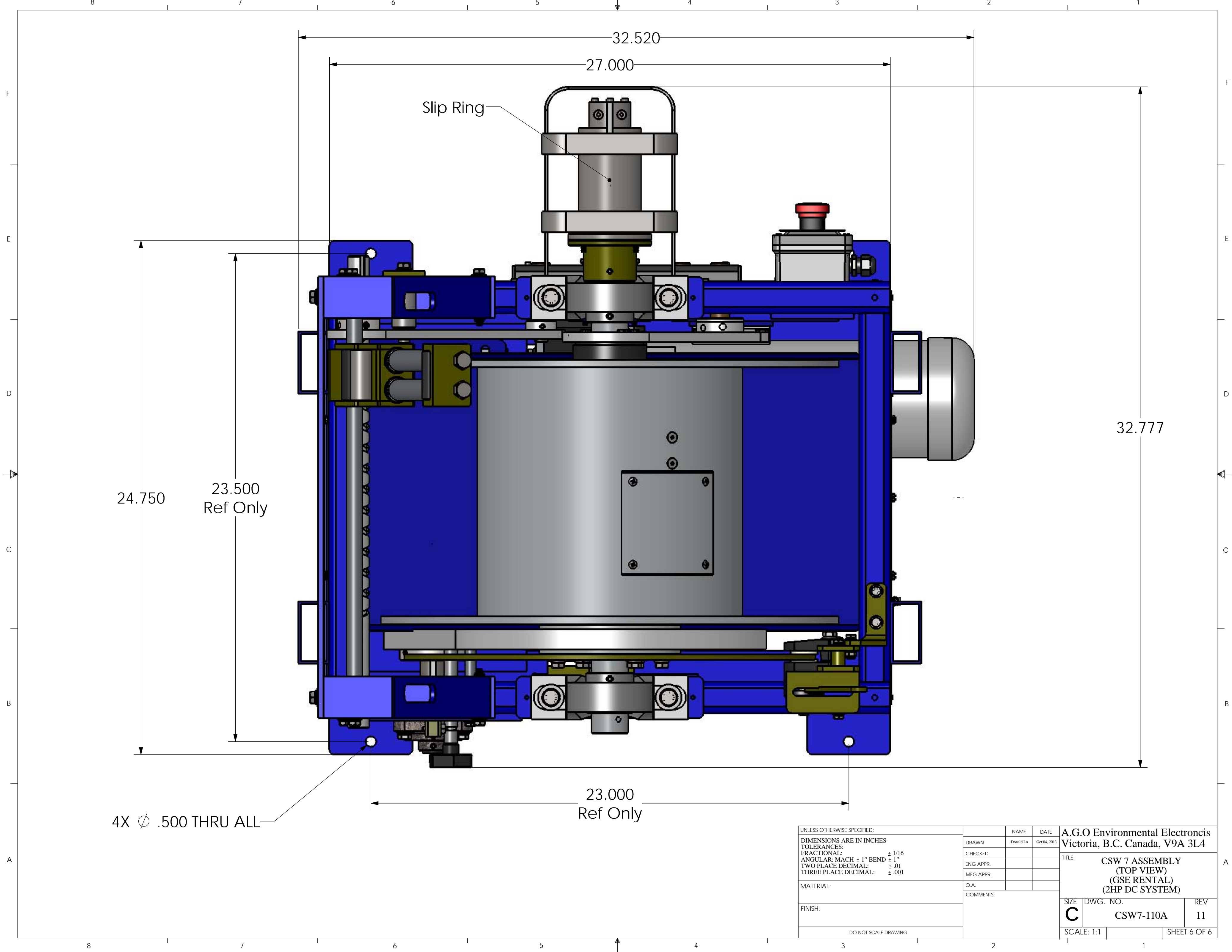
UNLESS OTHERWISE SPECIFIED:		NAME	DATE	A.G.O Environmental Electronics Victoria, B.C. Canada, V9A 3L4
DIMENSIONS ARE IN INCHES		DRAWN	Donald Lo	
TOLERANCES:		CHECKED		TITLE: CSW 7 ASSEMBLY (RIGHT VIEW) (GSE RENTAL) (2HP DC SYSTEM)
FRACTIONAL: ± 1/16		ENG APPR.		
ANGULAR: MACH ± 1° BEND ± 1°		MFG APPR.		
TWO PLACE DECIMAL: ± .01		Q.A.		
THREE PLACE DECIMAL: ± .001		COMMENTS:		SIZE DWG. NO. REV
MATERIAL:				C CSW7-110A 11
FINISH:				SCALE: 1:1 SHEET 4 OF 6
DO NOT SCALE DRAWING				



2HP Washguard DC Motor

Electric Brake Termination Box

UNLESS OTHERWISE SPECIFIED:		NAME	DATE	A.G.O Environmental Electronics Victoria, B.C. Canada, V9A 3L4
DIMENSIONS ARE IN INCHES		DRAWN	Donald Lo	
TOLERANCES:		CHECKED		TITLE: CSW 7 ASSEMBLY (BACK VIEW) (GSE RENTAL) (2HP DC SYSTEM)
FRACTIONAL: ± 1/16		ENG APPR.		
ANGULAR: MACH ± 1° BEND ± 1°		MFG APPR.		
TWO PLACE DECIMAL: ± .01		Q.A.		
THREE PLACE DECIMAL: ± .001		COMMENTS:		SIZE DWG. NO. REV
MATERIAL:				C CSW7-110A 11
FINISH:				SCALE: 1:1 SHEET 5 OF 6
DO NOT SCALE DRAWING				



Slip Ring

24.750
23.500
Ref Only

4X Ø .500 THRU ALL

23.000
Ref Only

32.777

UNLESS OTHERWISE SPECIFIED:
 DIMENSIONS ARE IN INCHES
 TOLERANCES:
 FRACTIONAL: ± 1/16
 ANGULAR: MACH ± 1° BEND ± 1°
 TWO PLACE DECIMAL: ± .01
 THREE PLACE DECIMAL: ± .001

MATERIAL:
 FINISH:
 DO NOT SCALE DRAWING

	NAME	DATE
DRAWN	Donald Lo	Oct 04, 2013
CHECKED		
ENG APPR.		
MFG APPR.		
Q.A.		
COMMENTS:		

A.G.O Environmental Electronics Victoria, B.C. Canada, V9A 3L4		
TITLE: CSW 7 ASSEMBLY (TOP VIEW) (GSE RENTAL) (2HP DC SYSTEM)		
SIZE	DWG. NO.	REV
C	CSW7-110A	11
SCALE: 1:1		SHEET 6 OF 6